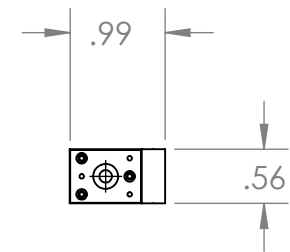
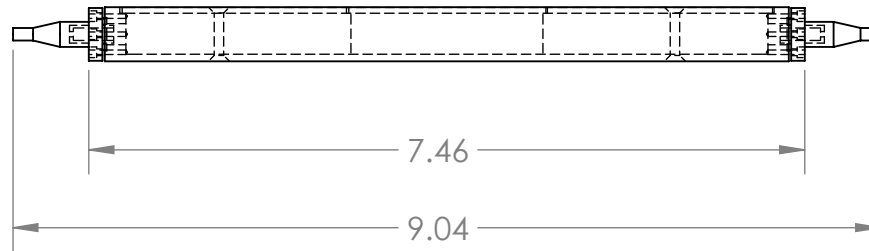
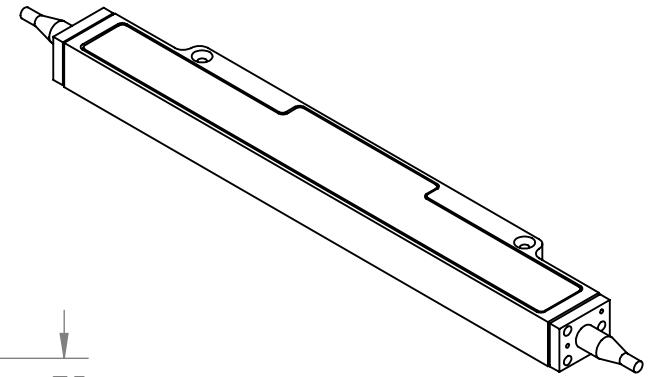
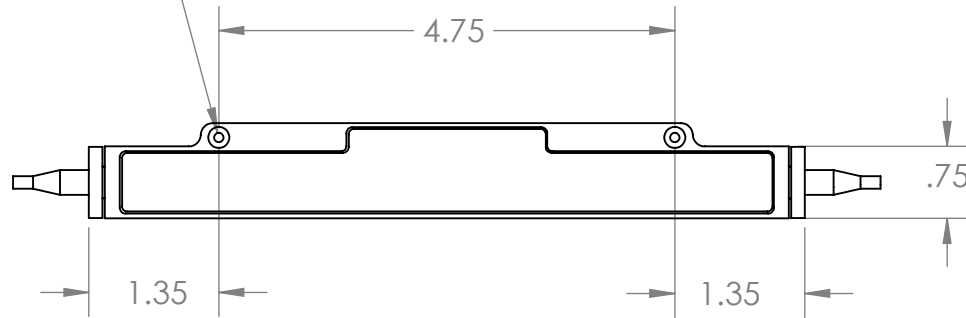


2X M3 TAPPED THRU ALL  
 ✓  $\phi$  .22 X 90°, BOTH SIDES



**PROPRIETARY AND CONFIDENTIAL**  
 THE INFORMATION CONTAINED IN THIS DRAWING IS THE SOLE PROPERTY OF WAVELENGTH REFERENCES, INC. ANY REPRODUCTION IN PART OR AS A WHOLE WITHOUT THE WRITTEN PERMISSION OF WAVELENGTH REFERENCES, INC. IS PROHIBITED.

		UNLESS OTHERWISE SPECIFIED:	NAME	DATE
		DIMENSIONS ARE IN INCHES	DRAWN	JC
		TOLERANCES:	CHECKED	
		FRACTIONAL $\pm$	ENG APPR.	
		ANGULAR: MACH $\pm$ BEND $\pm$	MFG APPR.	
		TWO PLACE DECIMAL $\pm$ .01	Q.A.	
		THREE PLACE DECIMAL $\pm$ .005	COMMENTS:	
		INTERPRET GEOMETRIC TOLERANCING PER:		
		MATERIAL		
		T6-6061 ALUMINUM		
		FINISH		
		BLACK ANODIZED		
NEXT ASSY	USED ON			
APPLICATION		DO NOT SCALE DRAWING		

# Wavelength References

TITLE:  
 16.5cm Housing Assembly

SIZE DWG. NO. REV  
**A** AL-165-ASM

SCALE: 1:2 WEIGHT: SHEET 1 OF 1