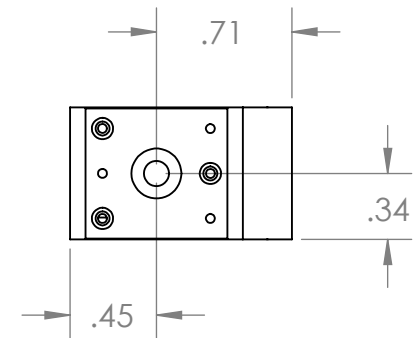
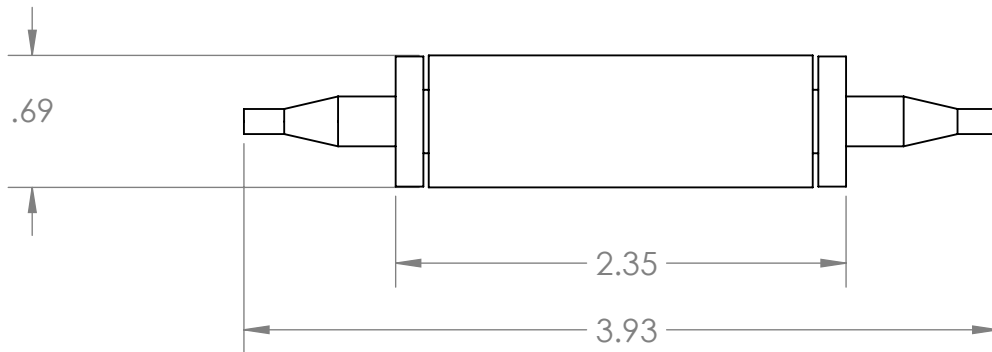
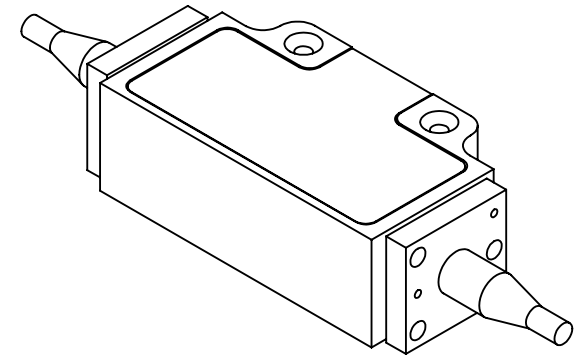
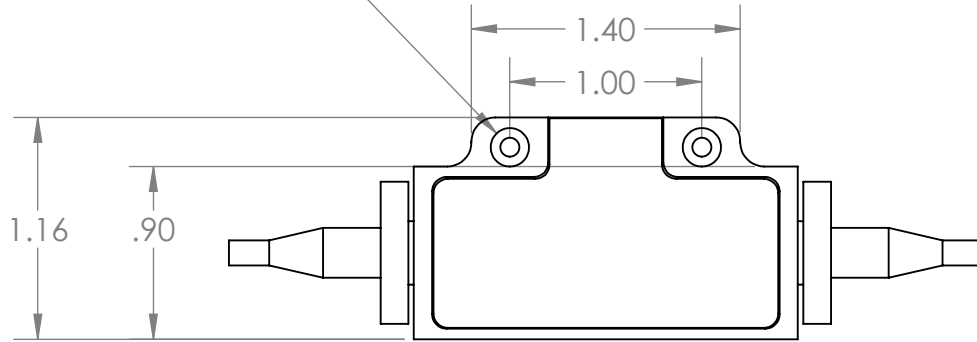


2X ϕ M3 THRU ALL
 \checkmark ϕ .20 X 90°, BOTH SIDES



PROPRIETARY AND CONFIDENTIAL
 THE INFORMATION CONTAINED IN THIS DRAWING IS THE SOLE PROPERTY OF WAVELENGTH REFERENCES, INC. ANY REPRODUCTION IN PART OR AS A WHOLE WITHOUT THE WRITTEN PERMISSION OF WAVELENGTH REFERENCES, INC. IS PROHIBITED.

		UNLESS OTHERWISE SPECIFIED:	NAME	DATE
		DIMENSIONS ARE IN INCHES	DRAWN	JC
		TOLERANCES:	CHECKED	10/19/17
		FRACTIONAL \pm	ENG APPR.	
		ANGULAR: MACH \pm BEND \pm	MFG APPR.	
		TWO PLACE DECIMAL \pm .01	Q.A.	
		THREE PLACE DECIMAL \pm .005	COMMENTS:	
		INTERPRET GEOMETRIC TOLERANCING PER:		
		MATERIAL		
		T6-6061 ALUMINUM		
		FINISH		
		BLACK ANODIZED		
NEXT ASSY	USED ON			
APPLICATION		DO NOT SCALE DRAWING		

WAVELENGTH REFERENCES

TITLE:
 2.7cm Housing Assembly

SIZE DWG. NO. REV
A AL-27-ASM

SCALE: 1:1 WEIGHT: SHEET 1 OF 1