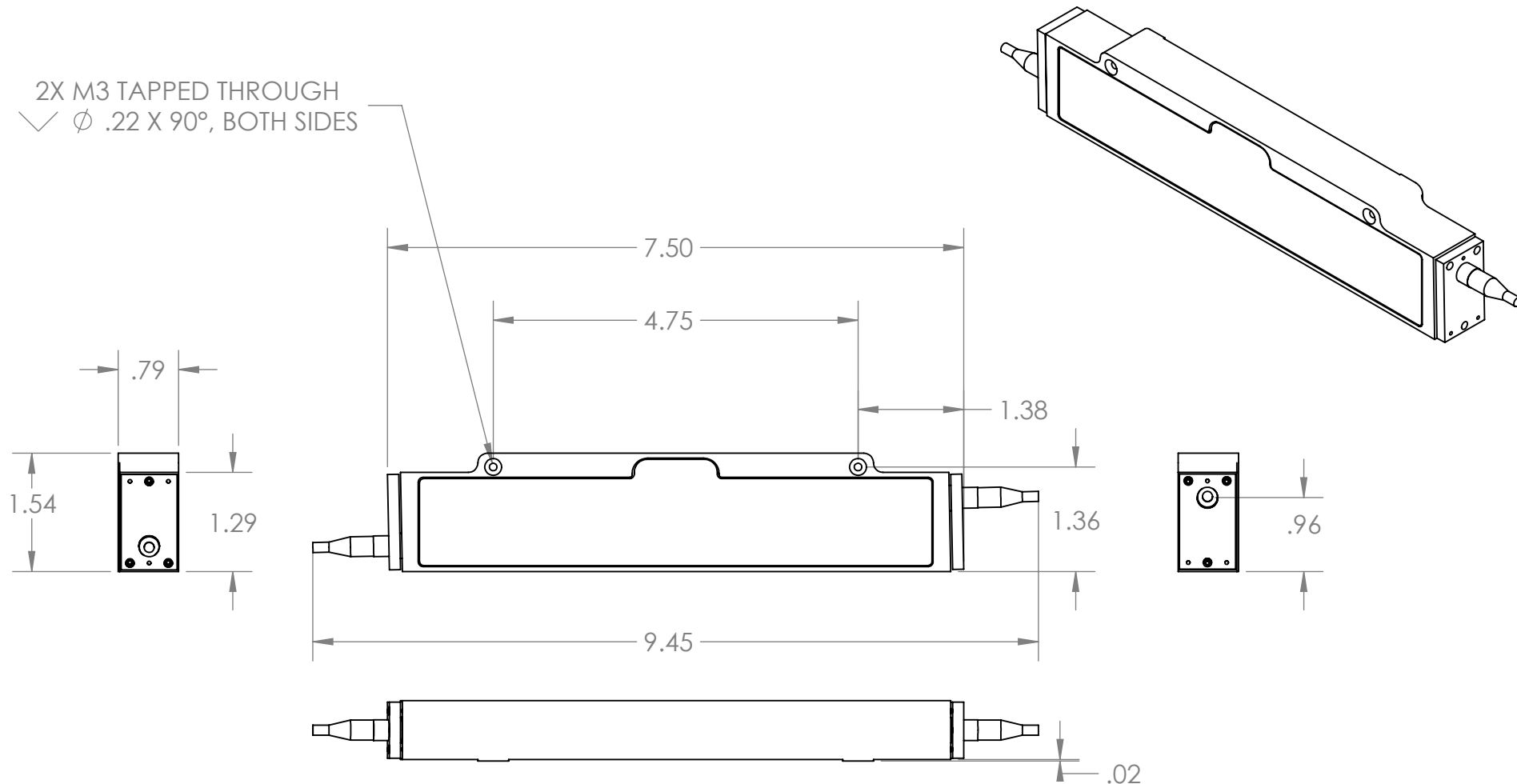


2X M3 TAPPED THROUGH
 ✓ ϕ .22 X 90°, BOTH SIDES



PROPRIETARY AND CONFIDENTIAL
 THE INFORMATION CONTAINED IN THIS DRAWING IS THE SOLE PROPERTY OF WAVELENGTH REFERENCES, INC. ANY REPRODUCTION IN PART OR AS A WHOLE WITHOUT THE WRITTEN PERMISSION OF WAVELENGTH REFERENCES, INC. IS PROHIBITED.

		UNLESS OTHERWISE SPECIFIED:		NAME	DATE
		DIMENSIONS ARE IN INCHES	DRAWN	JC	3/7/2017
		TOLERANCES:	CHECKED		
		FRACTIONAL ±	ENG APPR.		
		ANGULAR: MACH ± BEND ±	MFG APPR.		
		TWO PLACE DECIMAL ±.01	Q.A.		
		THREE PLACE DECIMAL ±.005	COMMENTS:		
		INTERPRET GEOMETRIC TOLERANCING PER:	-Black anodized finish		
		MATERIAL	-Rubber fiber boots provide strain relief		
		T6-6061 ALUMINUM	-Mounting feet provide strain relief		
		FINISH			
NEXT ASSY	USED ON				
APPLICATION		DO NOT SCALE DRAWING			

WAVELENGTH REFERENCES

TITLE:		
Multipass assembly: 80cm and 48cm path		
SIZE	DWG. NO.	REV
A	AL-80-ASM	
SCALE: 1:2	WEIGHT:	SHEET 1 OF 1