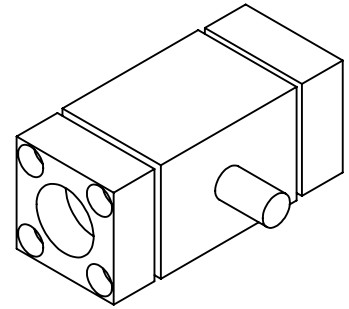
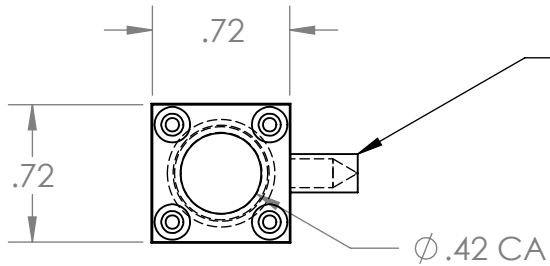


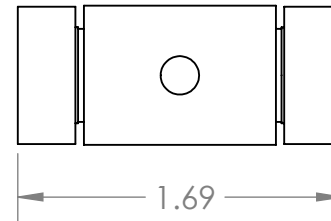
1.06 OPTICAL PATH



SAPPHIRE WINDOWS:
AR COATED BOTH SIDES FOR 1310nm
2.5MM THICK
WEDGED ~0.5 DEGREES



CRIMP SEAL PROTECTION



PROPRIETARY AND CONFIDENTIAL
THE INFORMATION CONTAINED IN THIS DRAWING IS THE SOLE PROPERTY OF WAVELENGTH REFERENCES, INC. ANY REPRODUCTION IN PART OR AS A WHOLE WITHOUT THE WRITTEN PERMISSION OF WAVELENGTH REFERENCES, INC. IS PROHIBITED.

		UNLESS OTHERWISE SPECIFIED:	NAME	DATE
		DIMENSIONS ARE IN INCHES	DRAWN	JC 11/14/17
		TOLERANCES:	CHECKED	CG 1/25/2019
		FRACTIONAL ±	ENG APPR.	
		ANGULAR: MACH ± BEND ±	MFG APPR.	
		TWO PLACE DECIMAL ±	Q.A.	
		THREE PLACE DECIMAL ±	COMMENTS:	
		INTERPRET GEOMETRIC TOLERANCING PER:		
		MATERIAL		
NEXT ASSY	USED ON	FINISH		
APPLICATION		DO NOT SCALE DRAWING		

WAVELENGTH REFERENCES INC		
TITLE:		
10mm CA Copper Assembly		
SIZE	DWG. NO.	REV
A	C-10-ASM	
SCALE: 2:1	WEIGHT:	SHEET 1 OF 1

5

4

3

2

1